



ZHEJIANG HANGCHA IMP. & EXP. CO., LTD.

Factory site: 666 Xiangfu Road,
Hangzhou, Zhejiang, China (311305)

Tel: +86-571-88926735 88926755
Fax: +86-571-88926789 88132890

sales@hcforklift.com
www.hcforklift.com



Follow us on
Facebook



Follow us on
YouTube



Follow us on
WeChat



Download "Hangcha
Forklift" App



ISO14001
ISO14001:2015



ISO9001
ISO9001:2015



HANGCHA trucks conform
to the European Safety
Requirements.

2022 VERSION 2/COPYRIGHT 2022/09

HANGCHA GROUP CO., LTD. reserves the right to make any changes without notice concerning colors, equipment, or specifications detailed in this brochure, or to discontinue individual models. The colors of trucks, delivered may differ slightly from those in brochures.



A2 Series Internal Combustion Forklift

with capacities of 1,500 to 3,800kg

The World of Hangcha



A2 Series Internal Combustion Forklift

The A2 series is a series of forklifts of Hangcha based on the advanced technology through comprehensive upgrading of the exterior design, green and energy efficiency, safety and reliability, comfort and convenience. The forklifts have greatly improved performance, capable of meeting your all-round needs.



New design

- / Inherit the exterior design of Hangcha's A products and integrate innovation in classic style, thus the vehicle has a smooth vivid profile and a sturdy design.
- / The newly designed semi-enclosed instrument console make the entire forklift look compact and stylish.

Safety and reliability

- / The vehicle has an optimized layout design, reduced front overhang, lowered center of gravity and improved stability of the entire forklift.
- / The new channel steel, ultra-wide-view mast and lowered dashboard in the cab broaden the front view of the driver significantly.
- / Profiled steel overhead guard features high strength with good sealing of the cab.
- / The hydraulic system adopts 24° tapered seal to improve the sealing performance.
- / The key parts use water-proof plugs and connectors, improving the protection grade of the electric system and ensuring reliability of the entire forklift.



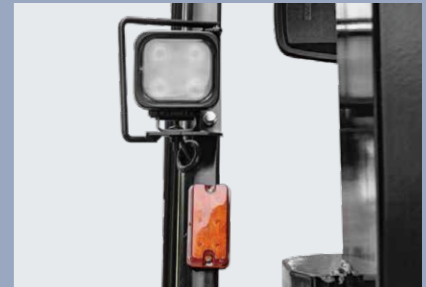
The newly developed steering axle assembly has a greatly prolonged service life through the optimization of the axle body, upgrading of the bearing, thickening of the cylinder and improvement to sealing.



The optimized heat dissipation system, improved counterweight heat dissipation channel and reduced wind resistance of the radiator enable the cooling efficiency to rise by 10%.



Ultra-wide-view mast and the front view of the driver broadened by 8%



The LED lighting system is provided in the entire forklift, which can save energy and power and greatly improve the performance and service life of lights.



The semi-enclosed instrument console make the entire forklift look compact and stylish.



Enlarged boarding step space allows more convenience for boarding.



The wide-open hood, increasing maintenance space by 10%

Comfort and convenience

- / Standard seat with an adjustable backrest has good packaging and anti-slip design, enabling a more comfortable driving and sitting experience.
- / The low-angle accelerator pedal reduces the driver's fatigue.
- / Integrated light combination switch makes the operation more convenient.
- / Integrated hydraulic cap allows for easier inspection and maintenance.



Large-screen LED instrument newly developed, which can completely display information such as the running status of the vehicle, fault detection and maintenance reminder in front of the driver more intuitively and can improve the convenience of maintenance.



With an optimized independent air intake channel and a large-capacity air intake silencer, the noise of the entire forklift is reduced by 2dB.

Optional attachments

- / Paper roll clamp
- / Rotatable roll clamp
- / Load stabilizer
- / Multi-purpose barrel clamp
- / Tie rod
- / Side shift fork
- / Rotating fork
- / Lengthened fork sleeve
- / Load ejector
- / Hook
- / Weighing system
- / Soft package clamp
- / Oil barrel clamp
- / Tipping fork
- / Boom
- / Lengthened fork
- / Cardboard box clamp
- / Push-puller
- / Bucket

Mast's special device

- / Free duplex wide-view mast
- / Special fork
- / Free triplex wide-view mast
- / Heightened load backrest
- / Special duplex wide-view mast
- / Widened fork carriage

Standard Specification

- / Protective boarding step
- / Air filter
- / Hydraulic oil dipstick
- / Traction device
- / Flow control valve
- / Fully hydraulic power steering
- / Duplex ultra-wide-view mast
- / Standard fork
- / Lifting and tilting joystick
- / Steering wheel adjusting device
- / Large rubber pedal pad
- / Left boarding handle
- / Large-screen LED instrument
- / Half package type instrument cover
- / Oil gauge
- / Pre-heating prompt
- / Engine oil pressure alarm
- / Neutral gear safety switch
- / Seat with an adjustable backrest and safety belt
- / Profiled overhead guard
- / Gearbox dipstick (hydraulic transmission)
- / Tires special for Hangcha
- / Load backrest
- / High-position air intake device
- / Hydraulic oil suction filter cartridge
- / Self-locking valve in the tilting fuel circuit
- / Cable-type stop brake
- / Light combination switch
- / Head lamp protective frame
- / Reverse buzzer
- / Class II (III) fork carriage
- / Engine hour counter
- / Load safety valve
- / Air spring with fuse
- / Charge prompt
- / Oil cooler (hydraulic transmission)
- / Vehicle toolkit
- / Water temperature meter

- / Two-piece multiway valve
- / Air intake silencer
- / 24° conic hydraulic line
- / Oil-water separator
- / Electric fuel pump
- / Engine failure prompt
- / Rearview mirror
- / Folder
- / Integrated electrical box
- / Electric flameout
- / Cup holder
- / Front LED operating light
- / LED front light and rear combination indicator
- / Electric horn
- / Rainproof cover
- / Electronic accelerator pedal
- / Gearbox oil temperature alarm (hydraulic transmission)

Options

- / Tilt cylinder jacket
- / Double-driving wheel
- / Cab
- / High-position exhauster
- / User specified color
- / Cab heater
- / Fully-suspended seat
- / Tire chamber seal plate
- / Rear LED operating light
- / Heat dissipater grille
- / Solid tire
- / Colored tire (white/green)
- / Mid-position emission device
- / Exhaust fire protection device
- / Water tank grille cover
- / Lockable hood
- / Electric steering
- / Auxiliary hydraulic valve assembly
- / Fire extinguisher
- / Rear armrest with a horn button
- / Counterweight grille
- / High and low overhead guards
- / Alarm light
- / Speedometer
- / Velocimeter
- / Rear combination lamp protective frame
- / High-speed gearbox
- / Main power switch
- / Fan protection device
- / Overspeed alarm
- / Double air filters
- / Fuel tank cap locked
- / Double-layer soundproof hood padding and leather sheath



1.5-1.8t Mast Specification:(Pneumatic)

Type	Model	Max. fork height	Overall height				Free lift height		Front Overhang		Tilt range	Capacity			
			Lowered	Extended		Without backrest	With backrest	1.5t	1.75t	FWD/RWD		Load Capacity at 500mm			
				Without backrest	With backrest							Single Tire		Double tire	
												3.0t	3.5t/3.8t	3.0t	3.5t/3.8t
Wide view Duplex mast	A2A15/18M250	2500	1745	3048	3455	155	155	405	410	6/12	1500	1750	1500	1750	
	A2A15/18M270	2700	1845	3248	3655	155	155	405	410	6/12	1500	1750	1500	1750	
	A2A15/18M300	3000	1995	3548	3955	155	155	405	410	6/12	1500	1750	1500	1750	
	A2A15/18M330	3300	2145	3848	4255	155	155	405	410	6/12	1500	1750	1500	1750	
	A2A15/18M360	3600	2345	4148	4555	155	155	405	410	6/12	1500	1750	1500	1750	
	A2A15/18M400	4000	2595	4548	4955	155	155	405	410	6/6	1500	1750	1500	1750	
	A2A15/18M430	4300	2745	4848	5255	155	155	405	410	6/6	1350	1550	1400	1650	
	A2A15/18M450	4500	2845	5048	5455	155	155	405	410	6/6	1300	1450	1350	1550	
	A2A15/18M480	4800	2995	5348	5755	155	155	405	410	6/6	1200	1300	1250	1400	
A2A15/18M500	5000	3095	5548	5955	155	155	405	410	6/6	1150	1200	1200	1350		
Free duplex wide-view mast	A2A15/18U250	2500	1760	3074	3445	1186	815	405	410	6/12	1500	1750	1500	1750	
	A2A15/18U270	2700	1860	3274	3645	1286	915	405	410	6/12	1500	1750	1500	1750	
	A2A15/18U300	3000	2010	3574	3945	1436	1065	405	410	6/12	1500	1750	1500	1750	
	A2A15/18U330	3300	2160	3874	4245	1586	1215	405	410	6/12	1500	1750	1500	1750	
	A2A15/18U360	3600	2310	4174	4545	1736	1365	405	410	6/12	1500	1750	1500	1750	
	A2A15/18U400	4000	2560	4574	4945	1986	1615	405	410	6/12	1500	1750	1500	1750	
Free triplex wide-view mast	A2A15/18N400	4000	1960	4694	4955	1386	1015	413	418	6/6	1300	1550	1400	1650	
	A2A15/18N430	4300	2060	4994	5255	1486	1115	413	418	6/6	1250	1450	1350	1550	
	A2A15/18N450	4500	2110	5194	5455	1536	1165	413	418	6/6	1200	1350	1300	1450	
	A2A15/18N480	4800	2260	5494	5755	1686	1315	413	418	6/6	1150	1300	1200	1350	
	A2A15/18N500	5000	2360	5694	5955	1786	1415	413	418	6/6	1100	1250	1150	1300	
	A2A15/18N550	5500	2560	6194	6455	1986	1615	413	418	3/6	850	950	1050	1200	
	A2A15/18N600	6000	2810	6694	6955	2200	1865	413	418	3/6	650	750	850	1050	
	A2A15/18N650	6500	3010	7194	7455	2400	2065	413	418	3/6	/	/	650	750	
	A2A15/18N700	7000	3260	7770	7955	2500	2315	413	418	3/6	/	/	450	550	

With sideshifter minus 100kg, with integrated sideshifter minus 150kg.

2.0-2.5t Mast Specification:(Pneumatic)

Type	Model	Max. fork height	Overall height				Free lift height		Front Overhang	Tilt range	Capacity					
			Lowered	Extended		Without backrest	With backrest	2.0t			2.5t	FWD/RWD	Load Capacity at 500mm			
				Without backrest	With backrest								Single Tire		Double tire	
													2.0t	2.5t	2.0t	2.5t
Wide view Duplex mast	A2A25M250	2500	1749	3207	3546	160	160	460	6/12	2000	2500	2000	2500			
	A2A25M270	2700	1849	3407	3746	160	160	460	6/12	2000	2500	2000	2500			
	A2A25M300	3000	1999	3707	4046	160	160	460	6/12	2000	2500	2000	2500			
	A2A25M330	3300	2149	4007	4346	160	160	460	6/12	2000	2500	2000	2500			
	A2A25M360	3600	2349	4307	4646	160	160	460	6/12	2000	2500	2000	2500			
	A2A25M400	4000	2599	4707	5046	160	160	460	6/6	2000	2500	2000	2500			
	A2A25M430	4300	2749	5007	5346	160	160	460	6/6	1900	2300	2000	2500			
	A2A25M450	4500	2849	5207	5546	160	160	460	6/6	1800	2200	1900	2400			
	A2A25M480	4800	2999	5507	5846	160	160	460	6/6	1750	2100	1800	2300			
	A2A25M500	5000	3099	5707	6046	160	160	460	6/6	1650	1800	1750	2250			
Free duplex wide-view mast	A2A25U250	2500	1764	3179	3546	1025	619	470.5	6/12	2000	2500	2000	2500			
	A2A25U270	2700	1864	3379	3746	1125	719	470.5	6/12	2000	2500	2000	2500			
	A2A25U300	3000	2014	3679	4046	1275	869	470.5	6/12	2000	2500	2000	2500			
	A2A25U330	3300	2164	3979	4346	1425	1019	470.5	6/12	2000	2500	2000	2500			
	A2A25U360	3600	2314	4279	4646	1575	1169	470.5	6/12	2000	2500	2000	2500			
	A2A25U400	4000	2564	4679	5046	1825	1419	470.5	6/12	2000	2500	2000	2500			
Free triplex wide-view mast	A2A25N400	4000	1964	4739	5046	1285	918	477.5	6/6	2000	2500	2000	2500			
	A2A25N430	4300	2064	5039	5346	1385	1018	477.5	6/6	1850	2300	1900	2400			
	A2A25N450	4500	2114	5239	5546	1435	1068	477.5	6/6	1800	2200	1850	2350			
	A2A25N480	4800	2264	5539	5846	1585	1218	477.5	6/6	1750	2000	1800	2300			
	A2A25N500	5000	2364	5739	6046	1685	1318	477.5	6/6	1650	1800	1750	2250			
	A2A25N550	5500	2564	6239	6546	1885	1518	477.5	3/6	1400	1500	1700	2150			
	A2A25N600	6000	2814	6739	7046	2135	1768	477.5	3/6	1000	1050	1600	1800			
	A2A25N650	6500	3014	7239	7546	2335	1968	477.5	3/6	/	/	1300	1450			
A2A25N700	7000	3264	7764	8046	2500	2218	477.5	3/6	/	/	1200	1300				

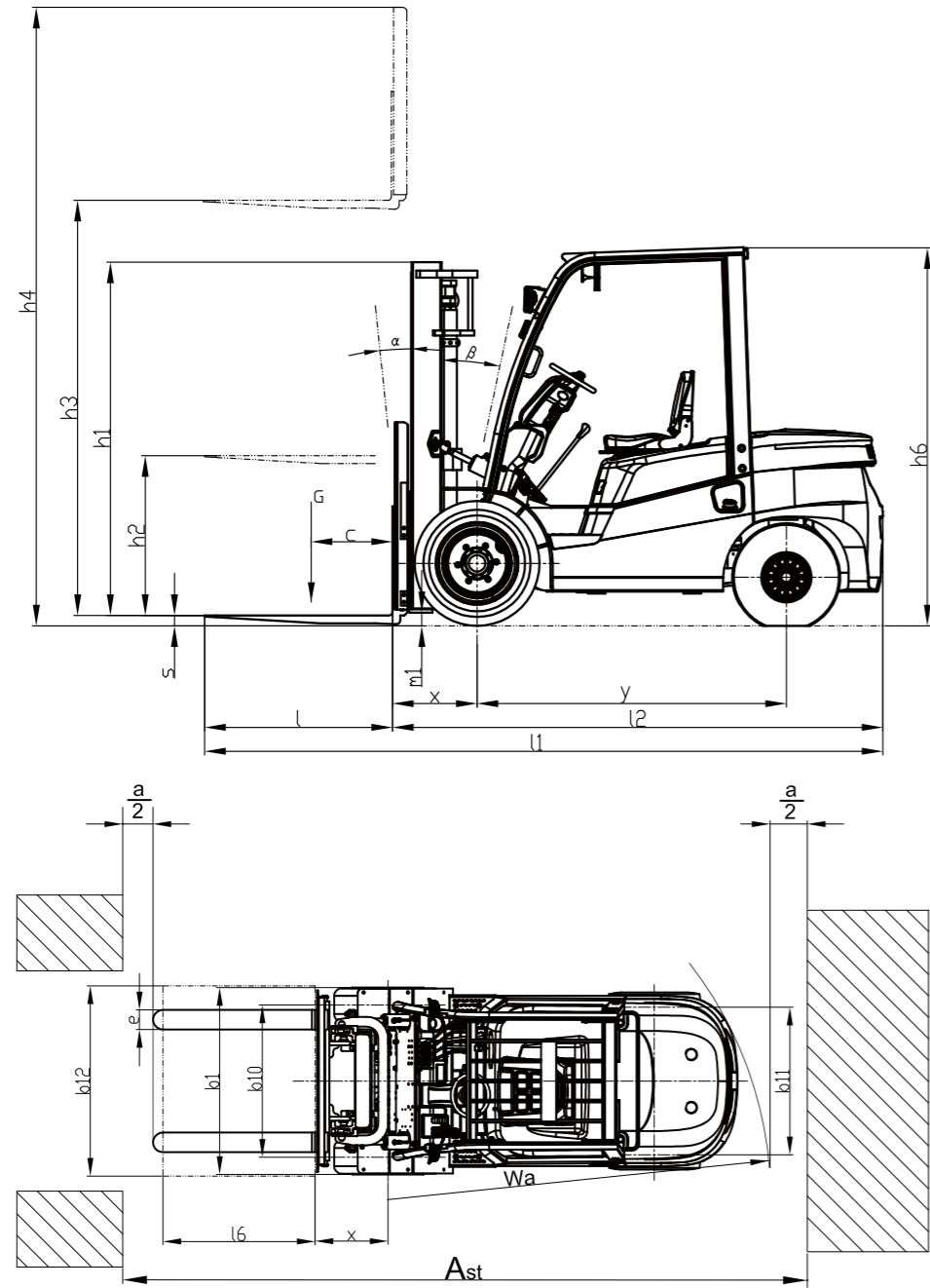
With sideshifter minus 100kg, with integrated sideshifter minus 150kg.

3.0-3.8t Mast Specification:(Pneumatic)

Type	Model	Max. fork height	Overall height						Free lift height				Front Overhang		Tilt range	Capacity								
			Lowered	Extended		Without backrest	With backrest	3.0t	3.5t/3.8t	Without backrest	With backrest	3.0t	3.5t/3.8t	3.0t		3.5t/3.8t	3.0t	3.5t/3.8t	Load Capacity at 500mm					
				Without backrest	With backrest														Single Tire			Double tire		
																			3.0t	3.5t/3.8t	3.0t	3.5t/3.8t	3.0t	3.5t/3.8t
Wide view Duplex mast	A2A30/35M250	2500	1804	1919	3267	3342	3645	3645	165	170	165	170	475	480	6/12	3000	3500	3800	3000	3500	3800			
	A2A30/35M270	2700	1904	2019	3467	3542	3845	3845	165	170	165	170	475	480	6/12	3000	3500	3800	3000	3500	3800			
	A2A30/35M300	3000	2054	2169	3767	3842	4145	4145	165	170	165	170	475	480	6/12	3000	3500	3800	3000	3500	3800			
	A2A30/35M330	3300	2204	2319	4067	4142	4445	4445	165	170	165	170	475	480	6/12	3000	3500	3800	3000	3500	3800			
	A2A30/35M360	3600	2404	2469	4367	4442	4745	4745	165	170	165	170	475	480	6/12	3000	3500	3800	3000	3500	3800			
	A2A30/35M400	4000	2654	2769	4767	4842	5145	5145	165	170	165	170	475	480	6/6	3000	3500	3800	3000	3500	3800			
	A2A30/35M430	4300	2804	2919	5067	5142	5445	5445	165	170	165	170	475	480	6/6	2900	3250	3650	3000	3400	3800			
	A2A30/35M450	4500	2904	3019	5267	5342	5645	5645	165	170	165	170	475	480	6/6	2850	3100	3350	3000	3350	3700			
	A2A30/35M480	4800	3054	3169	5567	5642	5945	5945	165	170	165	170	475	480	6/6	2700	2900	3000	2900	3000	3300			
	A2A30/35M500	5000	3154	3269	5767	5842	6145	6145	165	170	165	170	475	480	6/6	2550	2800	2850	2850	2900	3200			
Free duplex wide-view mast	A2A30/35M550	5500	3404	3519	6267	6342	6645	6645	165	170	165	170	475	480	3/6	2250	2350	2400	2650	2700	3000			
	A2A30/35M600	6000	3654	3769	6767	6842	7145	7145	165	170	165	170	475	480	3/6	1550	1750	1800	2200	2300	2800			
	A2A30/35U250	2500	1834	1934	3316	3391	3645	3645	1018	1043	689	789	485.5	490.5	6/12	3000	3500	3800	3000	3500	3800			
	A2A30/35U270	2700	1934	2034	3516	3591	3845	3845	1118	1143	789	889	485.5	490.5	6/12	3000	3500	3800	3000	3500	3800			
	A2A30/35U300	3000	2084	2184	3816	3891	4145	4145	1268	1293	939	1039	485.5	490.5	6/12	3000	3500	3800	3000	3500	3800			
	A2A30/35U330	3300	2234	2334	4116	4191	4445	4445	1418	1443	1089	1189	485.5	490.5	6/12	3000	3500	3800	3000	3500	3800			
	A2A30/35U360																							

A2 Series Internal Combustion Forklift Specification

		HANGCHA GROUP CO.,LTD.																			
Distinguishing mark	1.1	Manufacturer																			
	1.2	Manufacturer's type designation	CPCD15-A2G2	CPCD18-A2G2	CPCD20-A2G2	CPCD25-A2G2	CPCD30-A2G2	CPCD35-A2G2	CPCD38-A2G2	CPCD15-A2W10	CPCD18-A2W10	CPCD20-A2W10	CPCD25-A2W10	CPCD30-A2W10	CPCD20-A2W55	CPCD25-A2W55	CPCD30-A2W55	CPCD35-A2W55	CPCD38-A2W55		
	1.3	Drive: electric (battery or mains), diesel, petrol, fuel gas	Diesel	Diesel	Diesel	Diesel	Diesel	Diesel	Diesel	Diesel	Diesel	Diesel	Diesel	Diesel	Diesel	Diesel	Diesel	Diesel	Diesel	Diesel	
	1.5	Rated capacity/rated load	Q (kg)	1500	1750	2000	2500	3000	3500	3800	1500	1750	2000	2500	3000	2000	2500	3000	3500	3800	
	1.6	Load centre distance	c (mm)	500	500	500	500	500	500	500	500	500	500	500	500	500	500	500	500	500	
	1.8	Load distance, centre of drive axle to fork	x (mm)	405	410	460	460	475	480	480	405	410	460	460	475	460	460	475	480	480	
	1.9	Wheelbase	y (mm)	1475	1475	1665	1665	1760	1760	1760	1475	1475	1665	1665	1760	1665	1665	1760	1760	1760	
Weight	2.1	Service Weight	kg	2550	2750	3440	3765	4250	4555	4755	2550	2750	3440	3765	4250	3440	3765	4250	4555	4755	
	2.2	Axle loading, laden front/rear	kg	3570/480	4000/500	4790/650	5505/760	6370/880	7185/870	7615/940	3570/480	4000/500	4790/650	5505/760	6370/880	4790/650	5505/760	6370/880	7185/870	7615/940	
	2.3	Axle loading, unladen front/rear	kg	1150/1400	1170/1580	1620/1820	1545/2220	1700/2550	1735/2820	1710/3045	1150/1400	1170/1580	1620/1820	1545/2220	1700/2550	1620/1820	1545/2220	1700/2550	1735/2820	1710/3045	
Tyres, chassis	3.1	Tyres: solid rubber, superelastic, pneumatic, polyurethane		Pneumatic	Pneumatic	Pneumatic	Pneumatic	Pneumatic	Pneumatic	Pneumatic	Pneumatic	Pneumatic	Pneumatic	Pneumatic	Pneumatic	Pneumatic	Pneumatic	Pneumatic	Pneumatic	Pneumatic	
	3.2	Tyre size, front		6.50-10-10PR	6.50-10-10PR	7.00-12-12PR	7.00-12-12PR	28×9-15-14PR	28×9-15-14PR	28×9-15-14PR	6.50-10-10PR	6.50-10-10PR	7.00-12-12PR	7.00-12-12PR	28×9-15-14PR	7.00-12-12PR	7.00-12-12PR	28×9-15-14PR	28×9-15-14PR	28×9-15-14PR	
	3.3	Tyre size, rear		5.00-8-10PR	5.00-8-10PR	6.00-9-10PR	6.00-9-10PR	6.50-10-10PR	6.50-10-10PR	6.50-10-10PR	5.00-8-10PR	5.00-8-10PR	6.00-9-10PR	6.00-9-10PR	6.50-10-10PR	6.00-9-10PR	6.00-9-10PR	6.50-10-10PR	6.50-10-10PR	6.50-10-10PR	
	3.6	Tread, front	b10 (mm)	890	890	965	965	1005	1005	1005	890	890	965	965	1005	965	965	1005	1005	1005	
	3.7	Tread, rear	b11 (mm)	900	900	973	973	975	975	975	900	900	973	973	975	973	973	975	975	975	
Dimensions	4.1	Tilt of mast/fork carriage forward/backward	α/β(°)	6/12	6/12	6/12	6/12	6/12	6/12	6/12	6/12	6/12	6/12	6/12	6/12	6/12	6/12	6/12	6/12	6/12	
	4.2	Height, mast lowered	h1 (mm)	1995	1995	1999	1999	2054	2169	2169	1995	1995	1999	1999	2054	1999	1999	2054	2169	2169	
	4.3	Free lift	h2 (mm)	155	155	160	160	165	170	170	155	155	160	160	165	160	160	165	170	170	
	4.4	Lift	h3 (mm)	3000	3000	3000	3000	3000	3000	3000	3000	3000	3000	3000	3000	3000	3000	3000	3000	3000	
	4.5	Height, mast extended	h4 (mm)	3965	3965	4045	4045	4140	4140	4140	3965	3965	4045	4045	4140	4045	4045	4140	4140	4140	
	4.7	Height of overhead guard	h6 (mm)	2120	2120	2120	2120	2150	2150	2150	2120	2120	2120	2120	2150	2120	2120	2150	2150	2150	
	4.19	Overall length	l1 (mm)	3210	3245	3610	3695	3845	3880	3920	3210	3245	3610	3695	3845	3610	3695	3845	3880	3920	
	4.20	Length to face of forks	l2 (mm)	2290	2325	2540	2625	2775	2810	2850	2290	2325	2540	2625	2775	2540	2625	2775	2810	2850	
	4.21	Overall width	b1 (mm)	1090	1090	1155	1155	1225	1225	1225	1090	1090	1155	1155	1225	1155	1155	1225	1225	1225	
	4.22	Fork dimensions	s/e/l (mm)	35×100×920	35×100×920	40×122×1070	40×122×1070	45×122×1070	50×122×1070	50×122×1070	35×100×920	35×100×920	40×122×1070	40×122×1070	45×122×1070	40×122×1070	40×122×1070	45×122×1070	50×122×1070	50×122×1070	
	4.25	Distance between fork-arms	b5 (mm)	226-970	226-970	252-1020	252-1020	272-1082	272-1082	272-1082	226-970	226-970	252-1020	252-1020	272-1082	252-1020	252-1020	272-1082	272-1082	272-1082	
	4.31	Ground clearance, laden, below mast	m1 (mm)	115	115	115	115	135	135	135	115	115	115	115	135	115	115	135	135	135	
	4.34.1	Aisle width for pallets 1000 x 1200 crossways	Ast (mm)	3600	3635	3830	3900	4075	4100	4130	3600	3635	3830	3900	4075	3830	3900	4075	4100	4130	
	4.34.2	Aisle width for pallets 800 x 1200 lengthways	Ast (mm)	3800	3835	4030	4100	4275	4300	4330	3800	3835	4030	4100	4275	4030	4100	4275	4300	4330	
	4.35	Turning radius	Wa (mm)	1995	2025	2170	2240	2400	2420	2450	1995	2025	2170	2240	2400	2170	2240	2400	2420	2450	
Performance data	5.1	Travel speed, laden/unladen	km/h	17.5/17.5	17.5/17.5	18/19	18/19	19/20	19/20	19/20	17.5/17.5	17.5/17.5	18/19	18/19	19/20	18/19	18/19	19/20	19/20	19/20	
	5.2	Lift speed, laden/unladen	m/s	0.53/0.55	0.53/0.55	0.58/0.60	0.58/0.60	0.46/0.49	0.40/0.42	0.40/0.42	0.53/0.55	0.53/0.55	0.58/0.60	0.58/0.60	0.46/0.49	0.58/0.60	0.58/0.60	0.46/0.49	0.40/0.42	0.40/0.42	
	5.3	Lowering speed, laden/unladen	m/s	0.45/0.50	0.45/0.50	0.45/0.50	0.45/0.50	0.45/0.50	0.45/0.50	0.45/0.50	0.45/0.50	0.45/0.50	0.45/0.50	0.45/0.50	0.45/0.50	0.45/0.50	0.45/0.50	0.45/0.50	0.45/0.50	0.45/0.50	
	5.5	Drawbar pull, laden/unladen	N	17000/10000	17000/10000	21300/14000	21300/14000	20300/16000	20300/16000	20300/16000	17000/10000	17000/10000	19320/14000	19320/14000	18400/14000	19300/14000	19300/14000	21200/14000	21200/14000	21200/14000	
	5.7	Gradeability, laden/unladen	%	25/25	25/25	25/25	25/25	22/22	20/20	20/20	25/25	25/25	20/20	20/20	15/15	25/25	25/25	22/22	20/20	20/20	
Combustion-engine	7.1	Engine manufacturer/type		XINCHAI C490BPG-204						ISUZU GK-C240NKFC-01						Mitsubishi S4S-DPEU2					
	7.2	Engine power	kW	40	40	40	40	40	40	35.4	35.4	35.4	35.4	35.4	35.3	35.3	35.3	35.3	35.3		
	7.3	Rated speed	r/min	2650	2650	2650	2650	2650	2650	2500	2500	2500	2500	2500	2250	2250	2250	2250	2250		
	7.4	Number of cylinders/displacement	(-)/(cm³)	4/2670	4/2670	4/2670	4/2670	4/2670	4/2670	4/2369	4/2369	4/2369	4/2369	4/2369	4/3331	4/3331	4/3331	4/3331	4/3331		
	7.10	Battery voltage/nominal capacity	V/Ah	12/90	12/90	12/90	12/90	12/90	12/90	12/90	12/90	12/90	12/90	12/90	12/90	12/90	12/90	12/90	12/90		
		Rated torque	N·m/r/min	160/1800-2000	160/1800-2000	160/1800-2000	160/1800-2000	160/1800-2000	160/1800-2000	160/1800-2000	139.9/1800	139.9/1800	139.9/1800	139.9/1800	139.9/1800	177/1700	177/1700	177/1700	177/1700		
		Transmissions Manufacturer		China	China	China	China	China	China	China	China	China	China	China	China	China	China	China	China		
		Transmissions Type		Powershift	Powershift	Powershift	Powershift	Powershift	Powershift	Powershift	Powershift	Powershift	Powershift	Powershift	Powershift	Powershift	Powershift	Powershift	Powershift		
	Stage FWD/RVS		1/1	1/1	1/1	1/1	1/1	1/1	1/1	1/1	1/1	1/1	1/1	1/1	1/1	1/1	1/1	1/1			
Addition data	10.1	Operating pressure for attachments	MPa	14.5	14.5	17.5	17.5	17.5	17.5	14.5	14.5	17.5	17.5	17.5	17.5	17.5	17.5	17.5			
	10.4	Fuel tank capacity	liter	55	55	65	65	70	70	55	55	65	65	70	65	65	70	70			



$A_{st} = l_6 + x + W_a + a$ l_6 : load length a : Clearance (200mm)

Capacity(kg)

